

SHURFLO® 5000 SERIES

5 GPM Diaphragm Pumps

Features & Benefits

- Delivers 5.3 GPM [20.1 L/min] free flow
- Field-proven pump head design
- Driven by a 12-volt, SHURflo built sealed motor
- Self-priming capabilities, up to 8 feet [2.4 m]
- Santoprene® diaphragm for chemical resistance and maximum life
- Viton® valves provide maximum chemical resistance
- Automatic demand versions with built-in pressure switch, set at 60 PSI [4.14 bar]
- Bypass versions set at 90 psi [5.86 bar], for applications where a demand switch is not desired
- Available in the same footprint as other SHURflo pumps, allowing users to upgrade to a higher performance on existing installations
- Available with male 1/2" NPS or female 1/2" NPT ports



5059-1310-D011



5059-3611-D011



Designed for heavy-duty spraying and fluid transfer applications:

- Spot spraying
- Liquid fertilizer application
- Multi-tip spraying
- Foam marking
- General purpose



OEM's #1 choice in Diaphragm pumps for Agriculture and Turf Maintenance Applications



To order retail box versions, change part number suffix from "D011" to "D012".

SHURFLO® 5000 SERIES

Specifications

Order Information

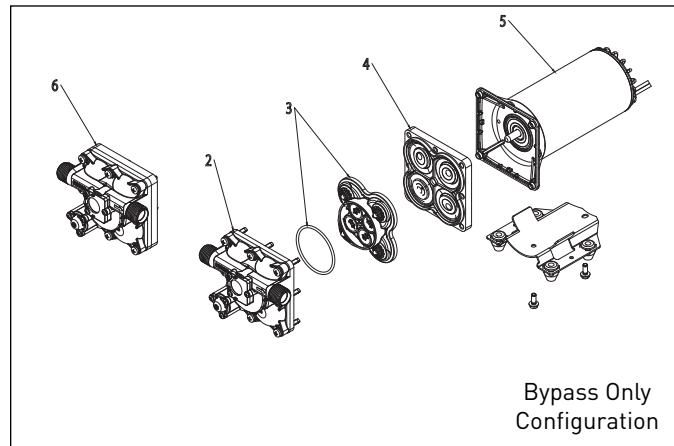
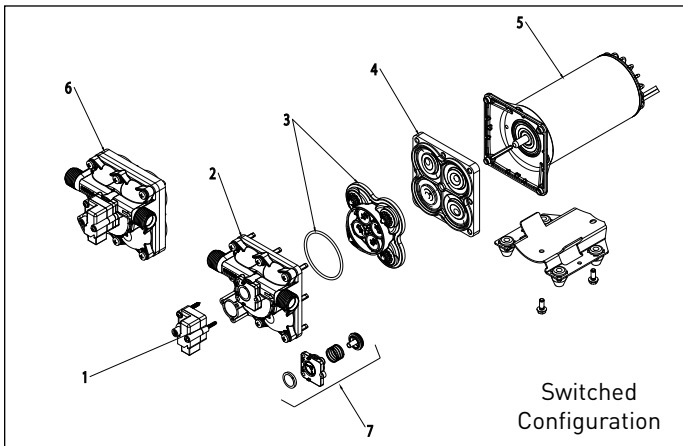
Part #	Max GPM (L/MIN)	Max PSI (BAR)	Port Size	Max Draw	Packaging
5059-1310-D011	5.3 (20.1)	60 (4.14)	1/2" NPTF	17.0	Brown Box
5059-1311-D011	5.3 (20.1)	60 (4.14)	1/2" NPSM*	17.0	Brown Box
5059-1310-D012	5.3 (20.1)	60 (4.14)	1/2" NPTF	17.0	Retail Box
5059-1311-D012	5.3 (20.1)	60 (4.14)	1/2" NPSM*	17.0	Retail Box
5059-3610-D011	5.3 (20.1)	80 (5.52)	1/2" NPTF	20.9	Brown Box
5059-3611-D011	5.3 (20.1)	80 (5.52)	1/2" NPSM*	20.9	Brown Box
5059-3610-D012	5.3 (20.1)	80 (5.52)	1/2" NPTF	20.9	Retail Box
5059-3611-D012	5.3 (20.1)	80 (5.52)	1/2" NPSM*	20.9	Retail Box

* 1/2" -14 American National Standard Straight Pipe Thread

Performance

Model	PSI	GPM	BAR	L/min	Amps
5059 Series Switched	0	5.3	0.0	20.1	6.5
	10	4.7	0.7	18.0	9.0
	20	4.3	1.4	16.5	11.8
	30	4.1	2.1	15.5	12.4
	40	3.8	2.8	14.6	14.0
	50	3.6	3.4	13.6	15.4
5059 Series Bypass	60	3.4	4.1	12.9	17.0
	0	5.3	0.0	20.1	6.5
	10	4.7	0.7	17.8	9.0
	20	4.3	1.4	16.3	10.2
	30	4.1	2.1	15.5	12.0
	40	3.4	2.8	12.9	13.5
	50	2.6	3.4	9.8	15.2
	60	1.8	4.1	6.8	16.9
	70	1.1	4.8	4.2	18.5
	80	0.4	5.5	1.5	20.1
90	0.0	6.2	0.0	20.9	

Replacement Kits



Model	1 Switch Only	2 Upper Housing	3 Valve Assembly	4 Drive Assembly	5 Motor	6 Pump Head	7 Check Valve
5059-1310-xxxx	94-910-02	94-910-11	94-910-05	94-910-04	94-71-000-17	94-910-10	94-910-03
5059-1311-xxxx	94-910-02	94-910-01	94-910-05	94-910-04	94-71-000-17	94-910-00	94-910-03
5059-3610-xxxx	N/A	94-910-15	94-910-05	94-910-04	94-71-000-17	94-910-13	N/A
5059-3611-xxxx	N/A	94-910-14	94-910-05	94-910-04	94-71-000-17	94-910-12	N/A



375 5TH AVE NW, NEW BRIGHTON, MN 55112 WWW.HYPROPUMPS.COM
PH: 800-424-9776 ORDERS FAX: 800-323-6496

Santoprene® is a registered trademark of Advanced Elastomer Systems, L.P.
Viton® is a registered trademark of E. I. du Pont de Nemours and Company
All other brand or product names are trademarks or registered trademarks of Pentair Ltd.

Because we are continuously improving our products and services, Pentair reserves the right to change specifications without prior notice.
© 2014 Pentair Ltd. All Rights Reserved.