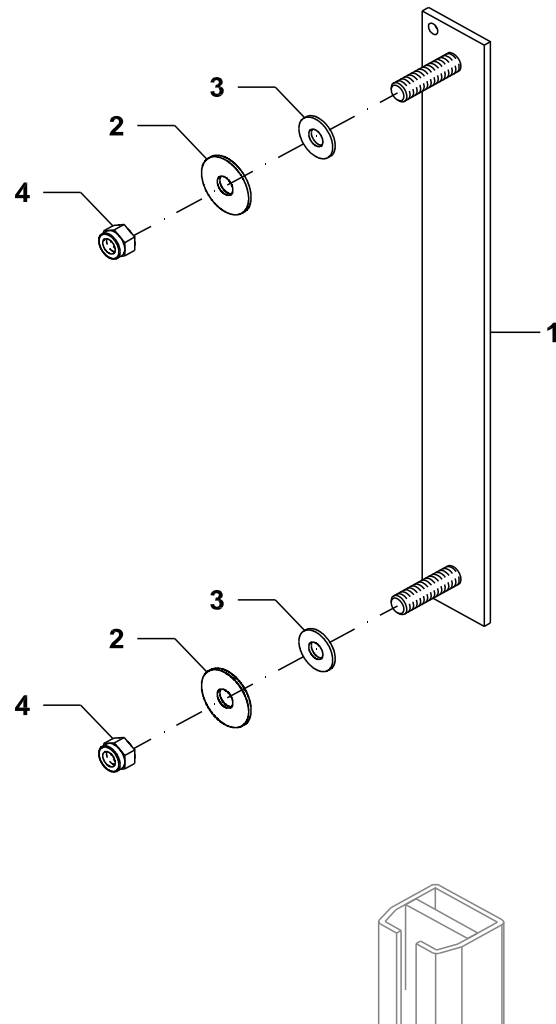
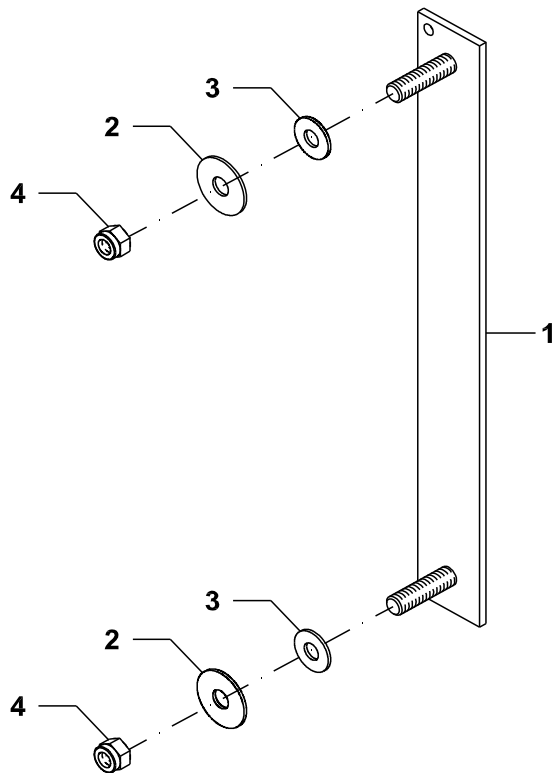
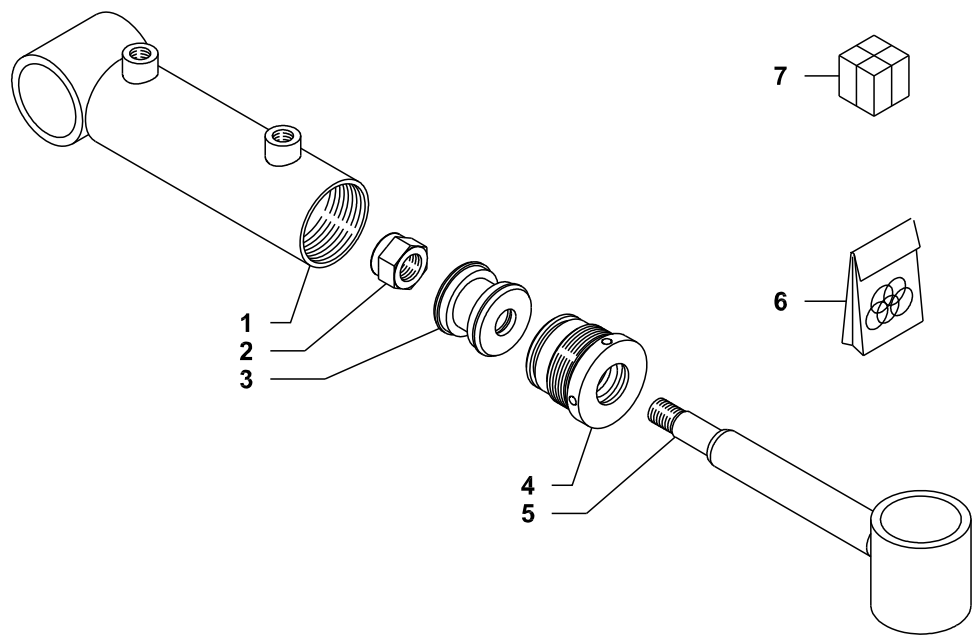


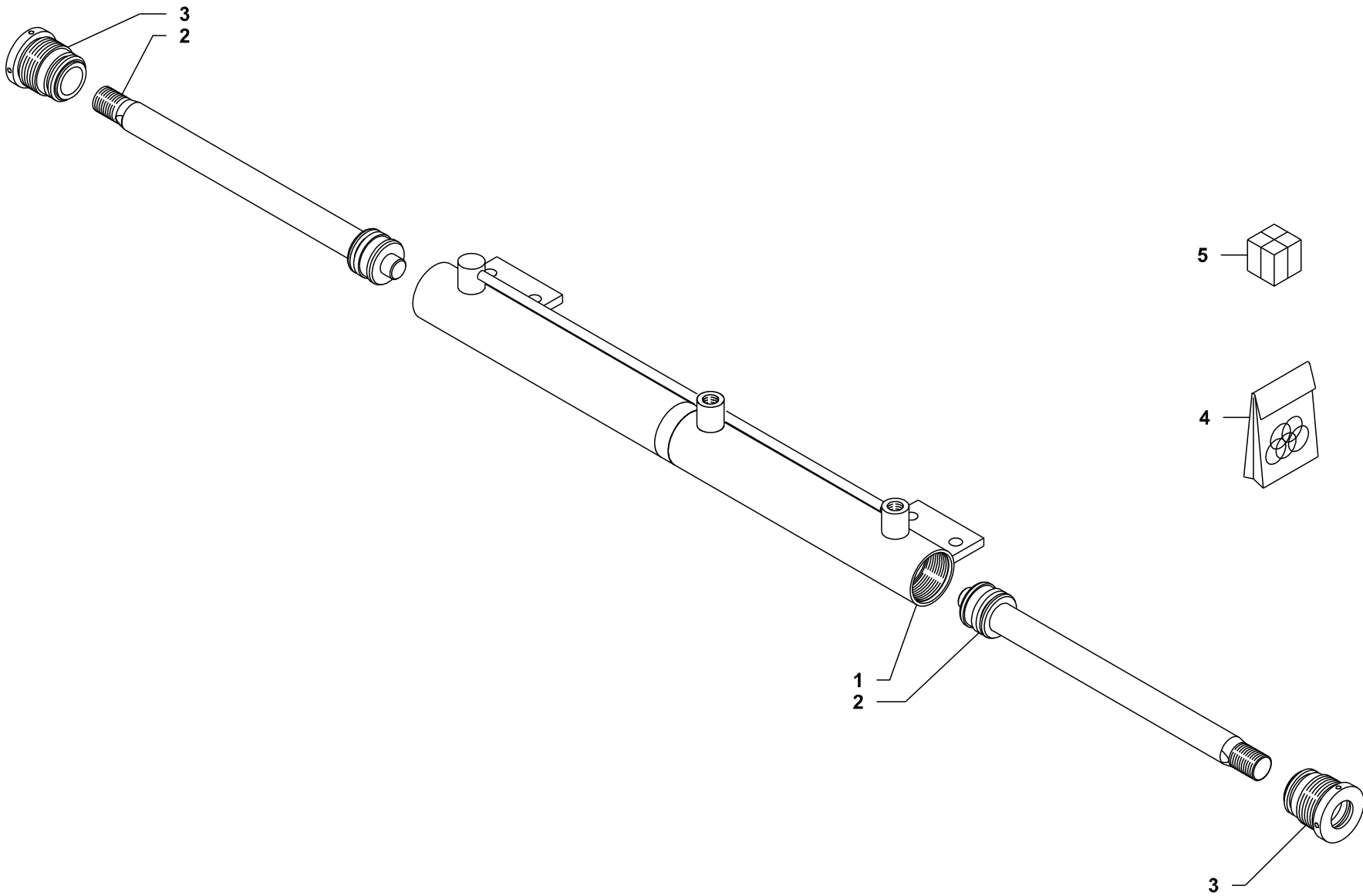
1	GG38010002V
2	GG380100021V
3	GG380100015Z
4	GG380100033Z
8	GG950300001
9	GG907112036Z
10	GG905400012
11	GG380100046Z
12	GG919900006Z
13	GG919800015
14	GG380100041Z
15	GG380100007Z
16	GG950200020
17	GG900312085Z
18	GG911225915
19	GG905400012
20	GG950140040
21	GG950101010
24	GG380500047V
25	GG500500002Z
26	GG905300010
27	GG920100015
28	GG900708020Z
29	GG905400008
30	GG380500048Z
31	GG500500030Z
32	GG905300006
33	GG919800045
34	GG500700116
35	GG919800046
50	GG993801001Z
51	GG993801002Z
52	GG993805001



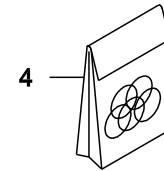
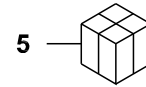
- 1 BG012567
- 2 GG907111030Z
- 3 GG500400023
- 4 GG905300010



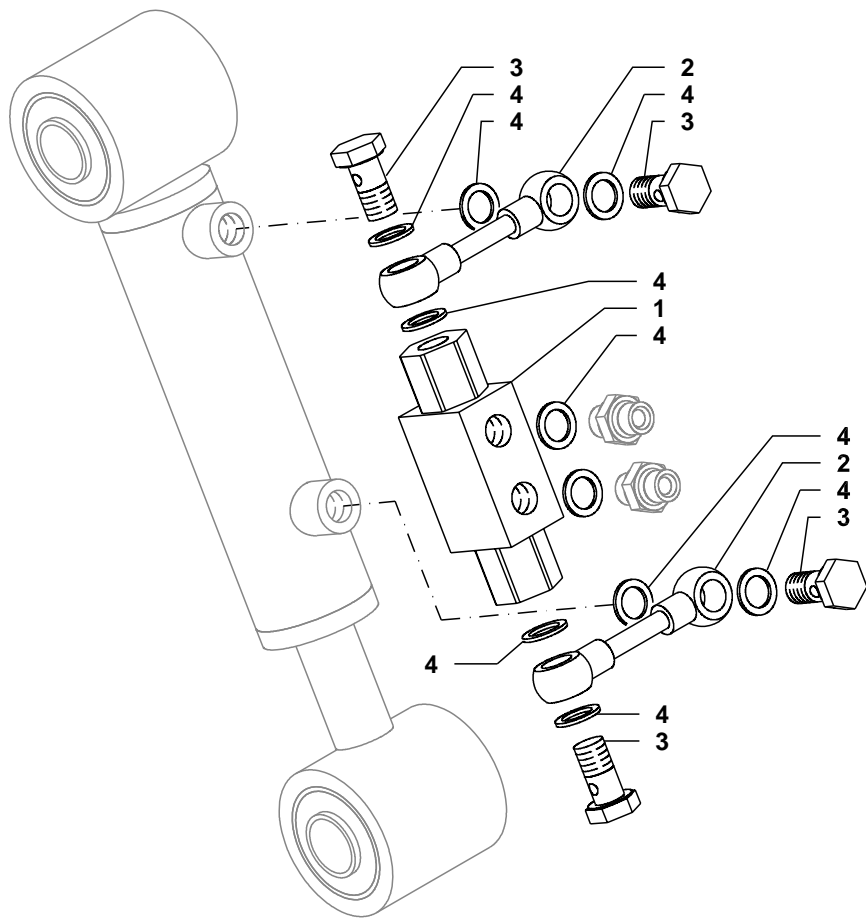
- 1 GG700032003
- 2 GG905415012
- 3 GG701632602
- 4 GG701632401
- 5 GG701600003
- 6 GG996000203
- 7 GG701632002V

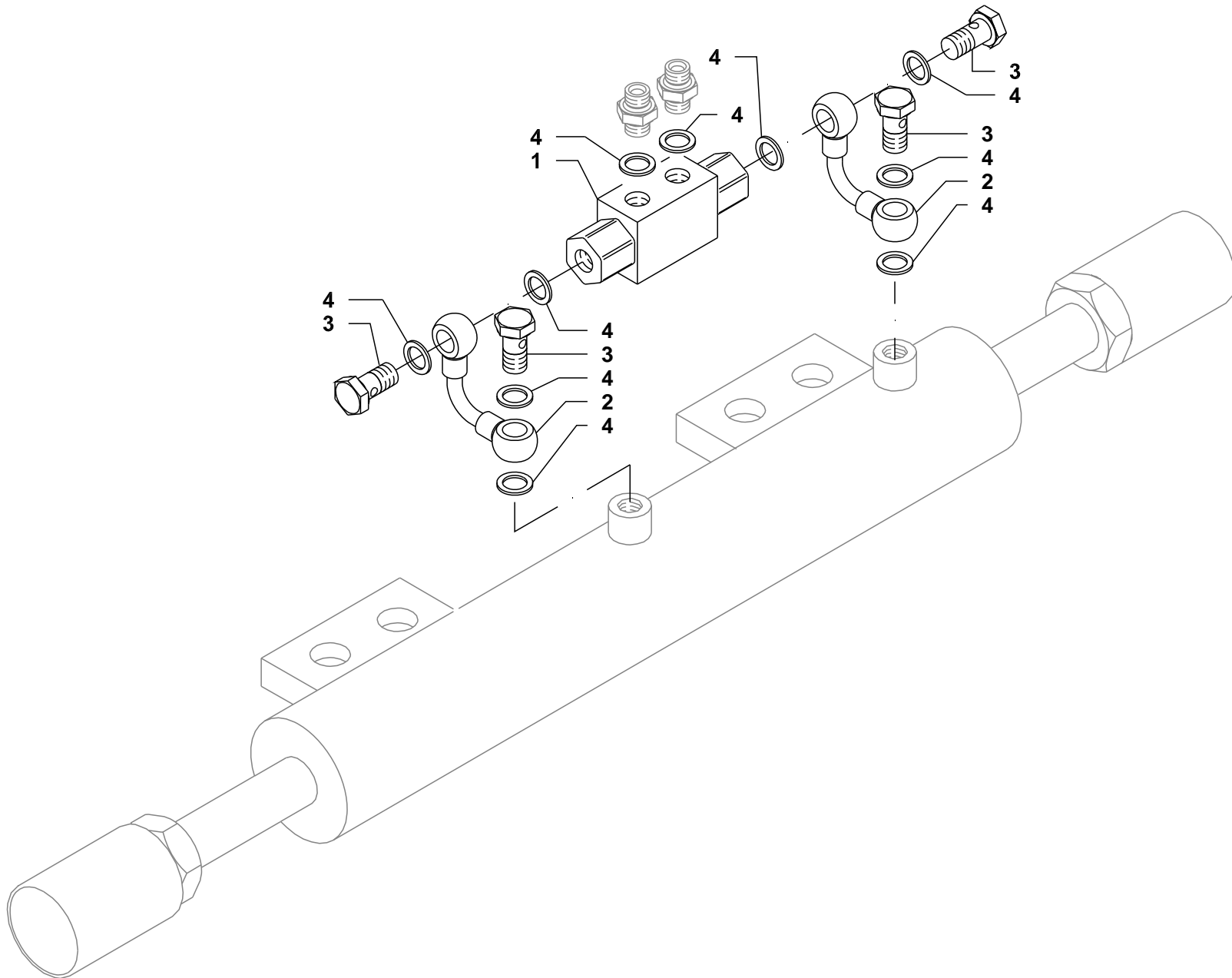


- 1 GG700040011
- 2 GG702500032
- 3 GG702540405
- 4 GG996000178
- 5 GG702540011V

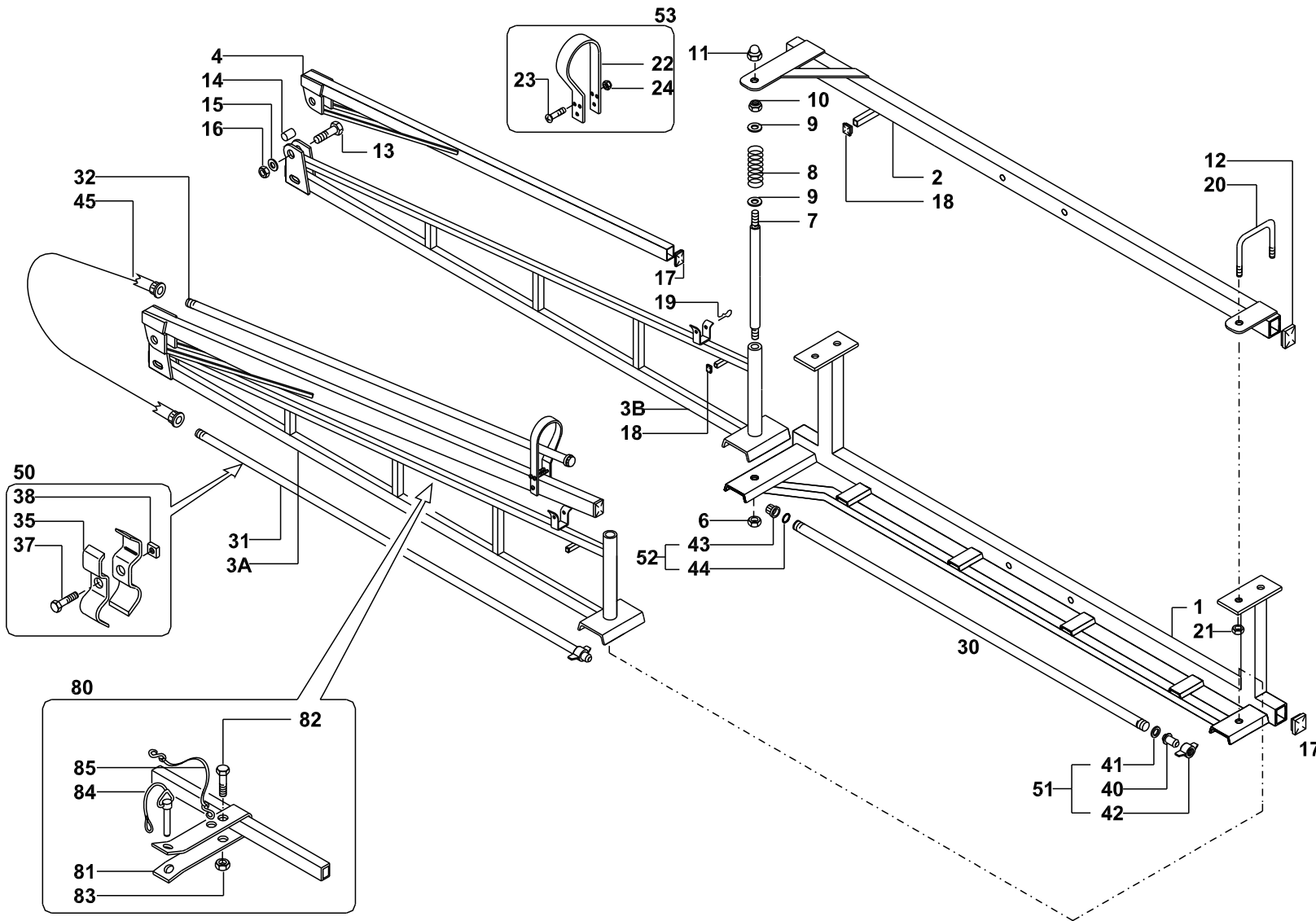


- 1 GG750300001
- 2 GG750300024Z
- 3 GG570100031Z
- 4 BB50243113

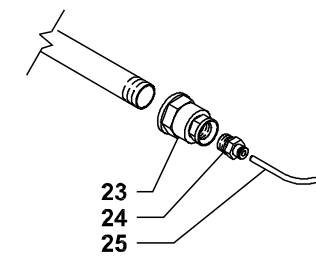
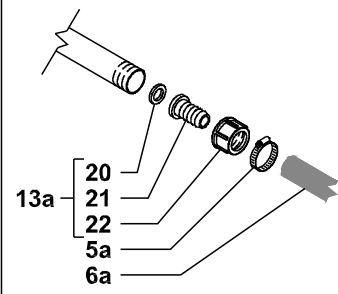
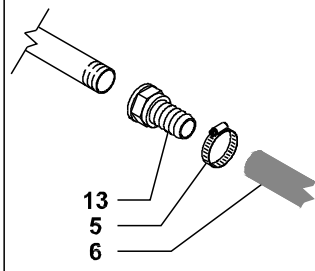
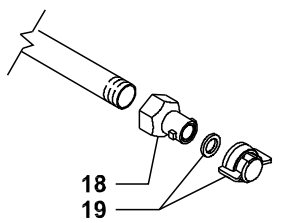
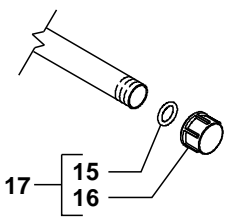
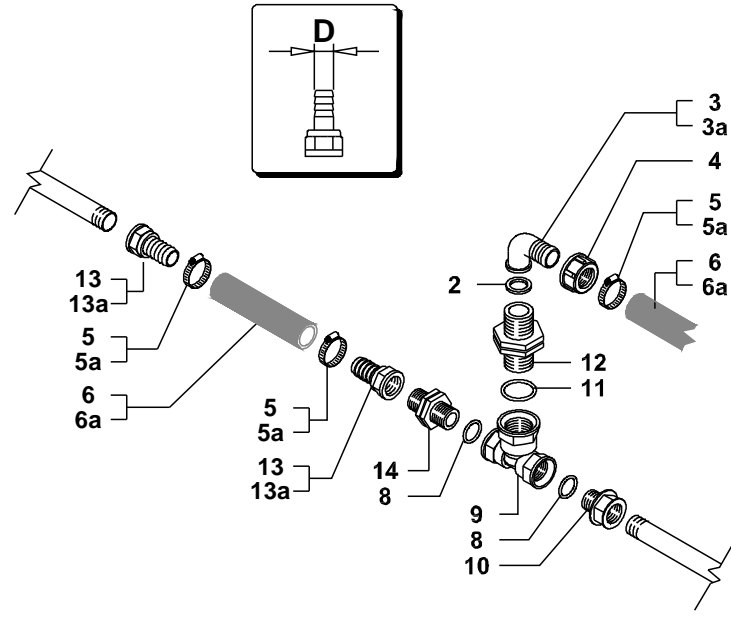
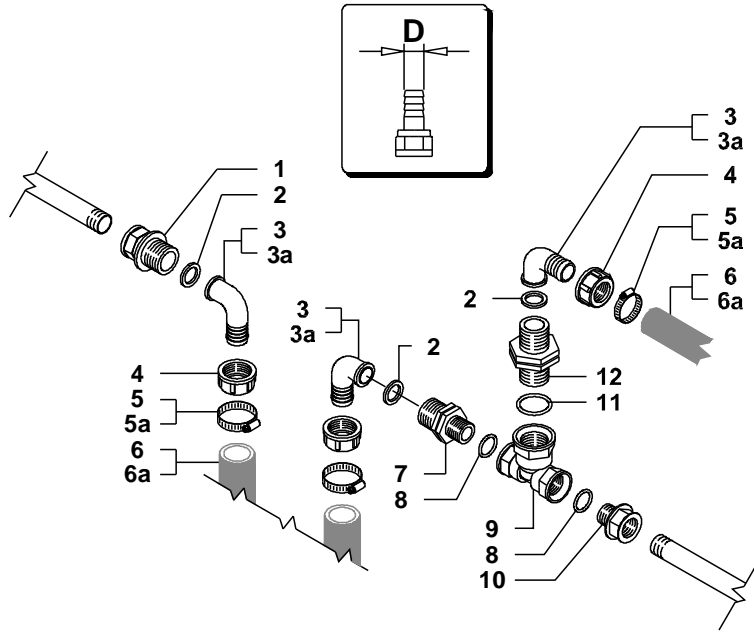




- 1 GG750300001
- 2 GG750300023Z
- 3 GG570100031Z
- 4 BB50243113



1	GG121000007Z	
2	GG121000002Z	
3a	GG121000012Z	destro
3b	GG121000013Z	sinistro
4	GG111000025Z	
6	GG905400016	
7	GG500100001Z	
8	GG919900002Z	
9	GG500400001Z	
10	GG905400020	
11	GG905300014	
12	GG950140040	
13	GG900310040Z	
14	GG500200001Z	
15	GG911020915	
16	GG905400010	
17	GG950125025	
18	GG950120020	
19	GG919800001Z	
20	GG500500001Z	
21	GG905300010	
22	GG121400020Z	
23	GG904906040Z	
24	GG905300006	
30	GG550400500	
31	GG550400500	
32	GG550400500	
35	GG500600001Z	
37	GG900508020Z	
38	GG906000008Z	
40	GGA00105213	
41	GGA00G40012	
42	GGA00200021	
43	GGA00210020	
44	GGA00G10020	
45	GG561399067	
50	GG999900002Z	
51	GG999900035	
52	GG999900008	
53	GG999900001Z	
80	GG991200007Z	
81	GG121200075Z	
82	GG904906035Z	
83	GG905300006	
84	GG919800005Z	
85	GG950200102	



1	GGA002452032S	
2	GGA00G40013	
3	GGA00115320	D=19
3a	GGA00115313	D=13
4	GGA002002030	
5	GG919714027X	D=19
5a	GG919711020X	D=13
6	GG561900000	D=19
6a	GG561300000	D=13
7	GGA002402032	
8	GGA00G10041	
9	GGA001302032	
10	GGA002452022	
11	GGA4062000.060	
12	GGA002502030	
13	GGA00100219	D=19
13a	GG999900035	D=13
14	GGA002502020	
15	GGA00G10020	
16	GGA002102020	
17	GG999900008	
18	GGA00400277	
19	GGA00402909	
20	GGA00G40012	
21	GGA00105213	
22	GGA002002020	
23	GGA002352020	
24	GG820110007	
25	GG560284000	